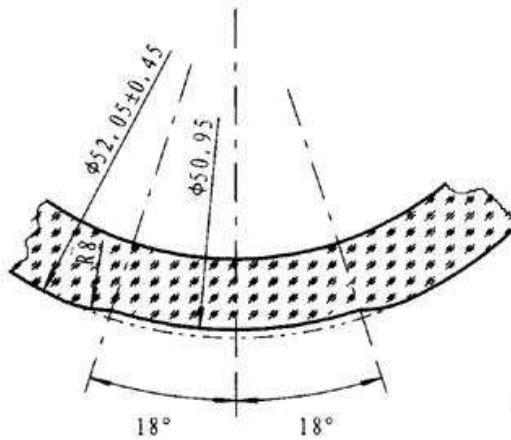
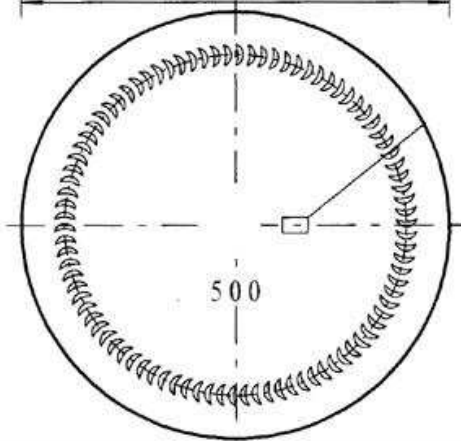


5: 1



2: 1



			500PSS	1: 1
		07.2.27		
	550 ± 9ml	500ml		
		1/3		
	270 ± 15g			